

# JMV3708NA

Product Preview

25V 50A N-Channel MOSFET



JMV3708NA

---

---



JMV3708NA



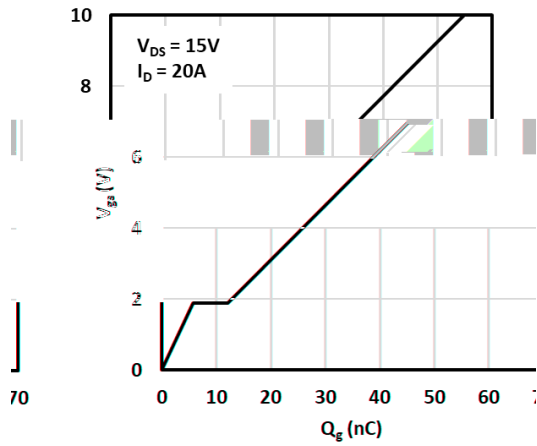


Fig.7 Gate-to-source voltage vs. gate charge

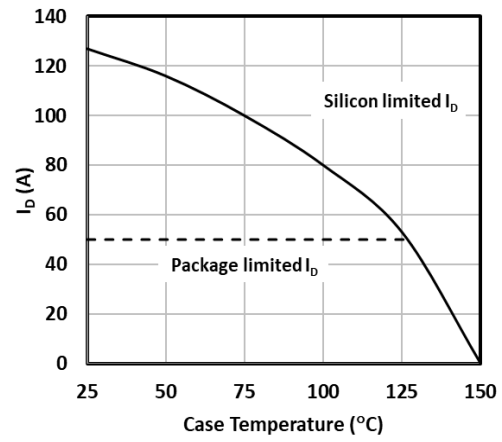


Fig.8 Maximum drain current vs. case temperature

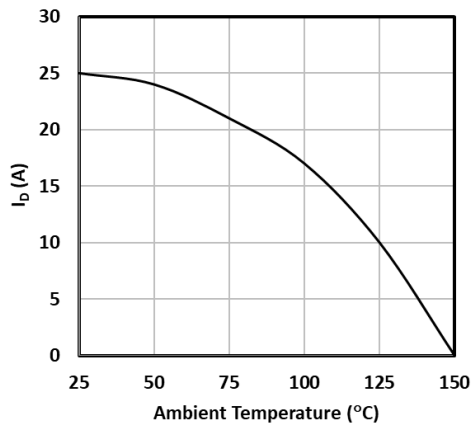
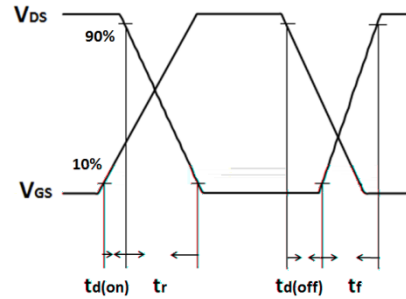
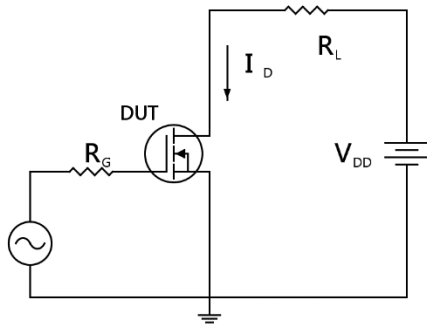
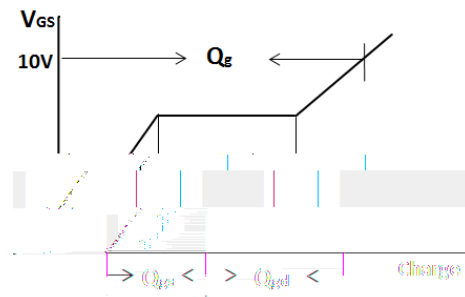
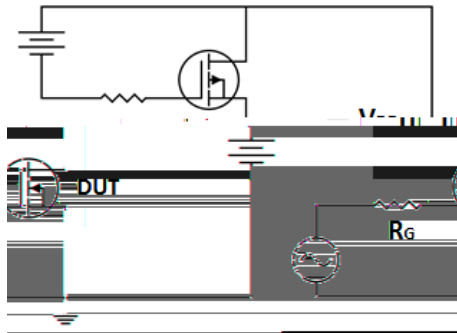


Fig. 9 Maximum drain current vs. ambient temperature

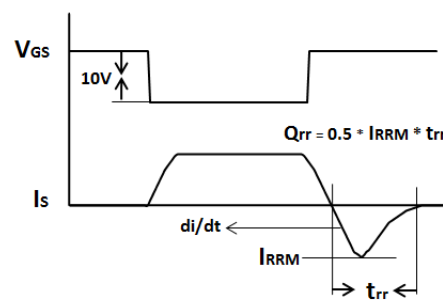
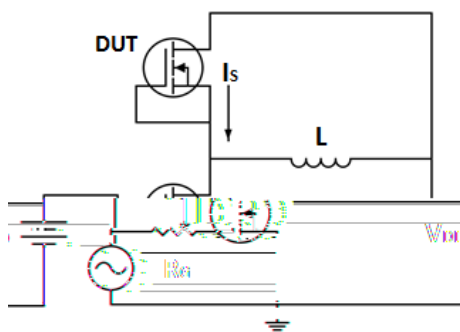
Test Circuits and Waveforms



Resistive switching time test circuit & waveforms



Gate charge test circuit & waveform



Peak diode recovery  $dv/dt$  test circuit & waveforms





JMV3708NA



JMV3708NA

To make changes to this page